

About Bluetooth Mobile Phones

WAIT

Did you know that there are generally two types of *Bluetooth* mobile phones currently in the market?

Newer mobile phones support both wireless music streaming and wireless phone communication via *Bluetooth* wireless technology, while others support only wireless phone communication.

The wireless music streaming needs *Bluetooth* stereo headset profiles, Advanced Audio Distribution Profile (**A2DP**) and Audio / Video Remote Control Profile (**AVRCP**), while the wireless phone communication needs *Bluetooth* Hands-Free Profile (**HFP**) and Headset Profile (**HSP**).

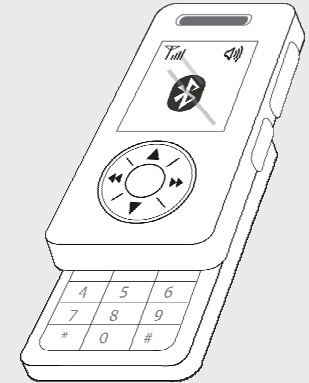
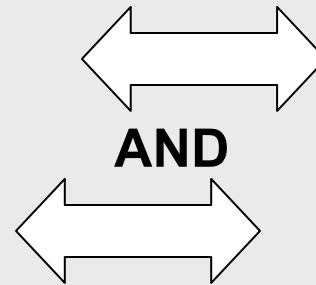
i903 / i913 supports **A2DP**, **AVRCP**, **HFP**, and **HSP** for both wireless music streaming and wireless phone communication.

Check whether your mobile phone supports *Bluetooth* for both wireless music streaming (**A2DP** and **AVRCP**) and wireless phone communication (**HFP** and **HSP**) or supports *Bluetooth* for wireless phone communication (**HFP** and **HSP**) only.

A For *Bluetooth* mobile phones that support both wireless music streaming (A2DP and AVRCP) and wireless phone communication (HFP and HSP)



Bluetooth connection for wireless music streaming (A2DP and AVRCP)



Bluetooth connection for wireless phone communication (HFP and HSP)

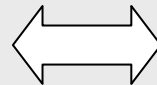
NOTE: You may not be able to pair i903 / i913 with other *Bluetooth* stereo music players (with A2DP and AVRCP) if already paired with one *Bluetooth* stereo music mobile phone (with A2DP, AVRCP, HFP, and HSP).

B For *Bluetooth* mobile phones that support only wireless phone communication (HFP and HSP)

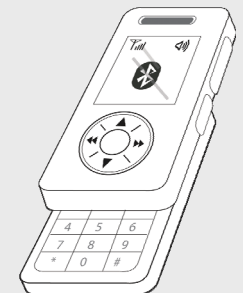
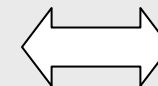
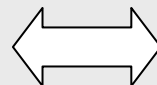
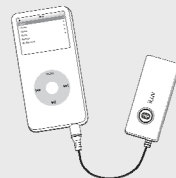
Bluetooth connection for wireless music streaming (A2DP and AVRCP)

AND

Bluetooth connection for wireless phone communication (HFP and HSP)



OR



NOTE: You can pair i903 / i913 with your *Bluetooth* music player (with A2DP and AVRCP) in addition to your *Bluetooth* mobile phone (with HSP and HFP).

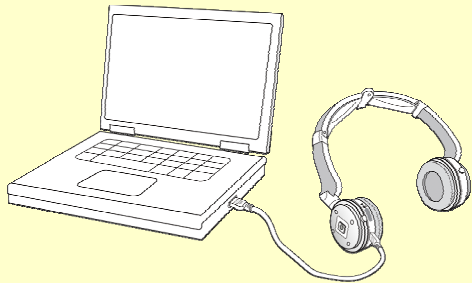
Pairing i903 / i913 with Bluetooth Devices

WAIT

Did you know that the rechargeable battery must be fully charged before the first use?

Yes, the rechargeable battery must be fully charged before its first use.

i903 / i913 is integrated with a Lithium Polymer rechargeable battery, which is much safer than Lithium-ion rechargeable battery. You can charge i903 / i913 using various power sources, such as USB power adapters, USB car adapters, desktop computers, laptops, etc.

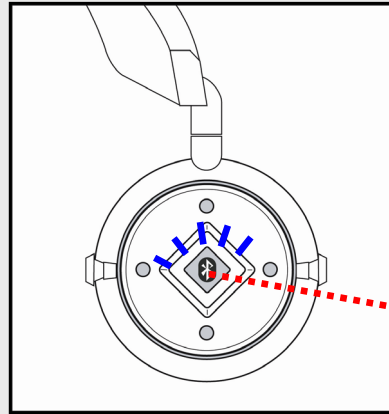


STOP

Have a problem? Please call us at **1-866-807-5946** for Technical Support.

Have a question? Please visit <http://www.i-Luv.com> for more information or email us at info@i-Luv.com for Customer Support.

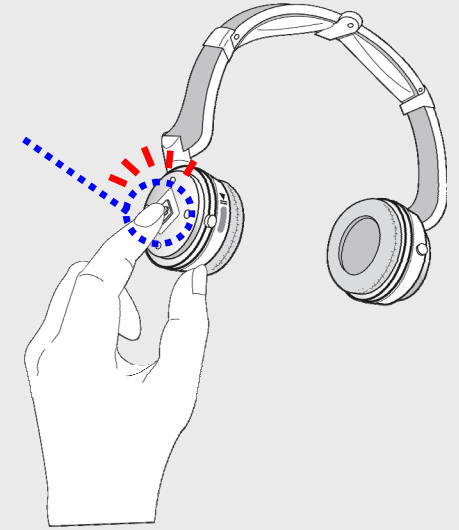
- 1 If i903 / i913 is currently in the *Bluetooth* standby mode (steady blue blinking light), press and hold the multi-function button until the red light flashes 4 times to turn off.



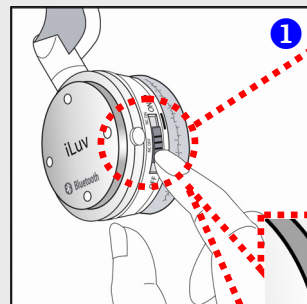
Multi-function button

In the *Bluetooth* standby mode, the steady blue blinking light will be shown on the multi-function button.

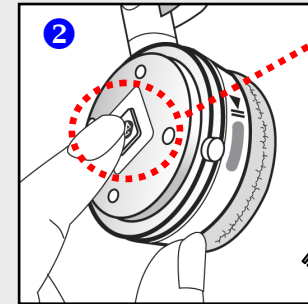
Press and hold the multi-function button until the red light flashes 4 times to turn off.



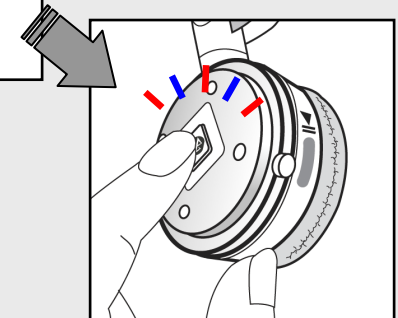
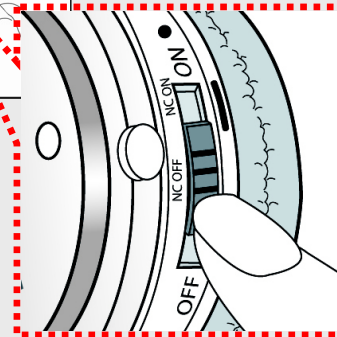
- 2 Set i903 / i913 to the pairing mode (alternating blue and red lights).



1 Set the power switch to the [NC OFF] or [NC ON] position.



2 Press and hold the multi-function button for 5 seconds until the alternating blue and red lights are shown.



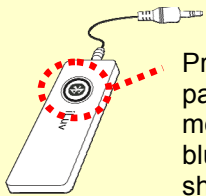
Pairing i903 / i913 with Bluetooth Devices

WAIT

Did you know that i903 comes with a *Bluetooth* audio transmitter, which can be used with an audio player without *Bluetooth* wireless technology?

With the audio transmitter included in i903 package, you can turn any normal audio player into a *Bluetooth* audio device. It is very simple to use. Just pair it with i903 and connect the transmitter to the headphone jack of any audio device.

How to set it to the pairing mode:



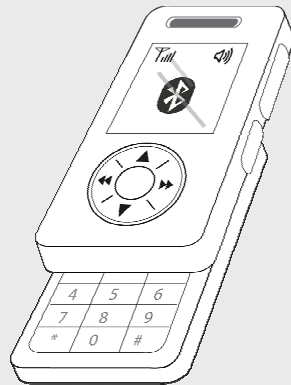
Press and hold the pairing button in the off mode until the alternating blue and red lights are shown. **For details, please refer to the instruction manual.**

STOP

Have a problem? Please call us at **1-866-807-5946** for Technical Support.

Have a question? Please visit <http://www.i-Luv.com> for more information or email us at info@i-Luv.com for Customer Support.

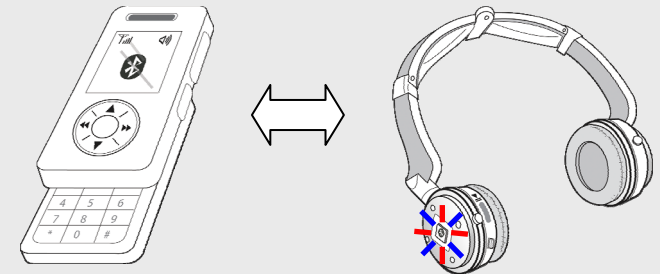
3 Set your *Bluetooth* mobile phone / music player to the pairing / searching mode.



NOTE: For instructions on setting your mobile phone or music player to the pairing or searching mode, **please refer to the owner's manual of your mobile phone or music player.**

* *Bluetooth* mobile phone and/or music player not included.

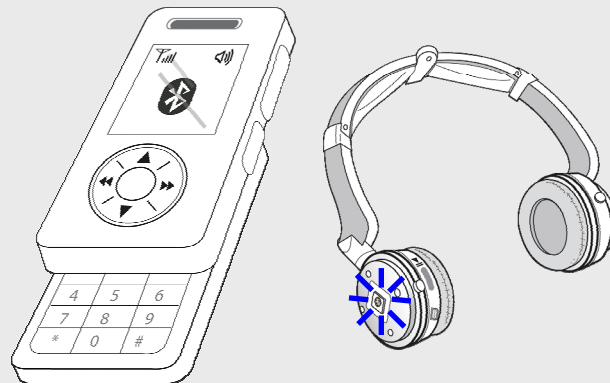
4 Once in the pairing / searching mode, place your mobile phone / music player next to i903 / i913.



- Wait until your *Bluetooth* mobile phone or music player finds i903 / i913.

NOTE: If the alternating blue and red lights on i903 / i913 change to only blue before pairing your mobile phone or music player, repeat step 1, 2, 3, and 4.

5 Once your *Bluetooth* mobile phone / music player finds i903 / i913, follow the instructions on the screen of your mobile phone / music player.



- Follow the instructions on the screen of your music player. You will need to select the "i903" or "i913" on the search list and enter the password "0000".

	i903	i913
Bluetooth Identifier	i903	i913
Bluetooth Password	0000	0000

- Wait until the pairing process is complete.
- If properly paired, steady blue light will show on i903 / i913.
- Enjoy wireless freedom.